



AllPondSolutions[®]

AUTO CLEAN PRESSURISED POND FILTER

PRO-RANGE





Thank you for purchasing the PRO All Pond Solutions pressurised filter.

You will find in this manual details of how to set up your PRO correctly as well as how to install the PRO safely.

SAFETY

Important! Disconnect the mains electricity supply before attempting any installation / maintenance of any kind.

- Do not attempt to modify this unit in any way and only use the recommended parts for replacement.
- Do not look directly at the UV light when operational.
- All connections must be earthed.
- Do not connect to any voltage other than that stated.
- Do not use with liquids other than water.
- Do not use with water above 90°F or 30°C.
- Never carry the filter using the power cable, handle the filter with both hands.
- Only use genuine approved parts.
- Ensure the PRO is located at least 2 metres from the pond edge.
- During maintenance ensure all O-rings are present and intact
- Before operating the PRO observe that water is flowing through it – the UV requires constant flow to avoid overheating.

Please note:

This appliance can be used by children aged from 8 years and above and persons with reduced physical, sensory or mental capabilities or lack of experience and knowledge if they have been given supervision or instruction concerning use of the appliance in a safe way and understand the hazards involved. Children must not play with the appliance. Cleaning and user maintenance should not be carried out by children without supervision.



The PRO comes complete with a generous supply of 3 core cable, however, should any additional cable be required then the use of an approved waterproof cable connector is essential.

Please ensure:

- The power supply must be earthed and fused at 3amps.
- The use of a residual current device (RCD) for additional safety.
- Regularly inspect the cable for damage and deterioration.
- Compliance with Local Electricity Authority regulations if permanently installing to the mains supply.
- Consult a qualified electrician if in doubt about any aspects of wiring.

BOX CONTENTS

PRO assembled filter x 1

PRO 5000/8000/12000 Attachments	PRO 20000/30000/50000/75000 Attachments
Black Hosetails x 2	Clear Hosetails Ø32 x 3
Clear Hosetail x 1	Clear Hosetails Ø38 x 3
Hosetail Nuts x 3	Clear Hosetails Ø50 x 3
Hosetail O-Rings x 3	Hosetail Nuts x 3
Instruction Booklet x 1	Hosetail O-Rings x 3
	Instruction Booklet x 1

OUTLET SYMBOLS



WATER INLET POINT

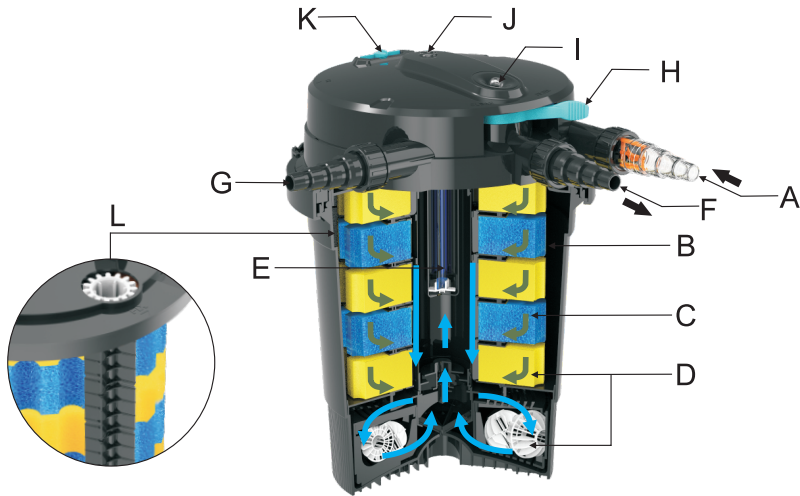


WATER OUTLET POINT



SELF-CLEANING POINT

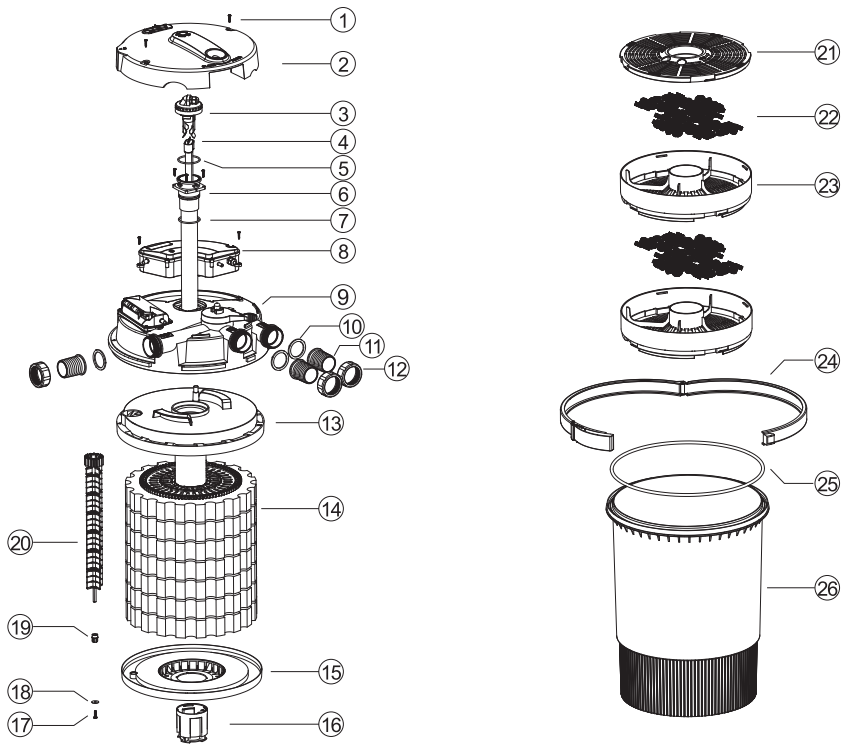
PRODUCT DIAGRAM



A	Water Inlet Point – connects to pond pump
B	Vortex System – centrifugal effect breaks down dirty water
C	Mechanical Filtration
D	Biological Filtration
E	UV Bulb – clarification / sterilisation of water
F	Water Outlet Point – connects to water return
G	Waste Outlet – waste drainage
H	Outlet Control Dial – turn 90 degrees to begin the 60 second auto clean function
I	Dirt Indicator - floats when filter needs cleaning
J	UV Light Indicator
K	Timer
L	Cleaning Mechanism

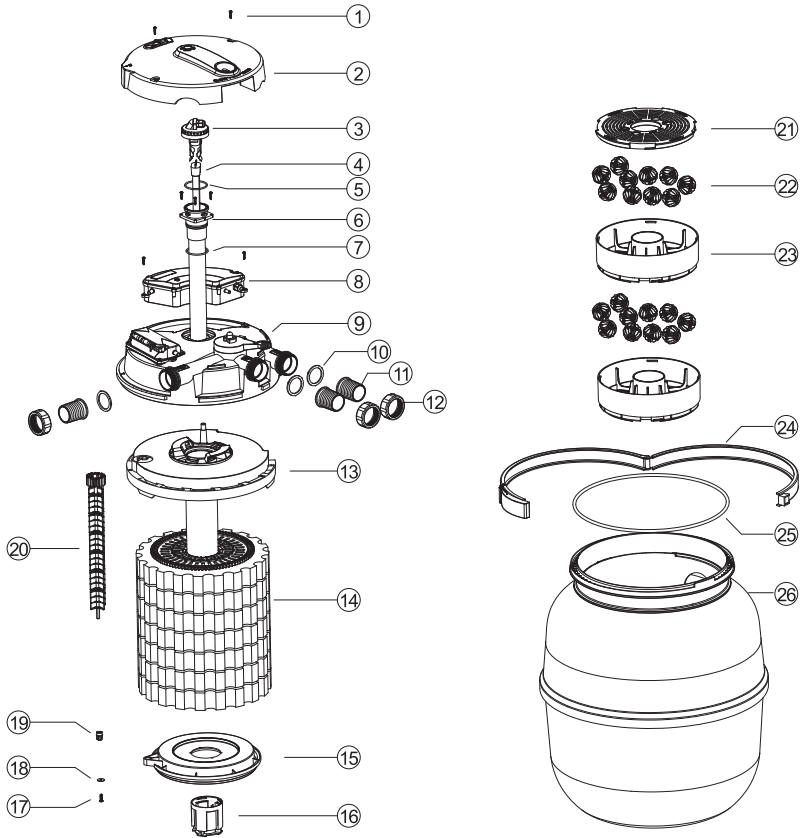


PARTS DIAGRAM PRO-5000/8000/12000/20000/30000



1	Head Screws	10	Hosetail O-rings	19	Rod Bearing
2	Decorative Lid	11	Hosetail	20	Display Rod
3	UV Head	12	Outlet Nut	21	Filter Media Cover
4	UV Lamp	13	Filter Plate	22	Bio-Cells
5	UV O-ring	14	Sponges	23	Filter Media Basket
6	UV Quartz	15	Support Plate	24	Head Clasp
7	UV Unit O-ring	16	Plate Holder	25	Main Head O-ring
8	Motor	17	Plate Screw	26	Filter Body
9	Filter Lid	18	Rod Washer		

PARTS DIAGRAM PRO-50000/75000



1	Head Screws	10	Hosetail O-rings	19	Rod Bearing
2	Decorative Lid	11	Hosetail	20	Display Rod
3	UV Head	12	Outlet Nut	21	Filter Media Cover
4	UV Lamp	13	Filter Plate	22	Bio-Balls
5	UV O-ring	14	Sponges	23	Filter Media Basket
6	UV Quartz	15	Support Plate	24	Head Clasp
7	UV Unit O-ring	16	Plate Holder	25	Main Head O-ring
8	Motor	17	Plate Screw	26	Filter Body With Bio-Cells
9	Filter Lid	18	Rod Washer		



Please note that the pressure of your PRO depends on many factors such as location (height and distance from your pond), power and location of connected pump (L/H), pond depth, stock density and hose dimensions. To enhance pond water quality, we recommend considering these factors to ensure maximum efficiency and avoid low return pressure.

When locating the PRO ensure placement of at least 2 metres from your pond.

The PRO is suitable for burying up to the head rim of the unit. Make sure access to the body of the system is possible for maintenance purposes. Burying the unit will help reduce the distance between the filter and the pond and provide higher return water pressure.

❶ Connect the required attachments

Choose the required hoesetails (dependent on your flexible hose dimensions) and attach to the PRO (utilise nut and O-ring in tandem to seal tight).

On stepped hoesetails if using hose larger than the smallest dimension you will want to cut the hoesetails down to avoid restricting the flow of water.

❷ Position the PRO

Position the PRO adjacent to your pond (at least 2 metres away). The PRO can be stood or buried.

❸ Connect your flexible hose to the PRO

Connect your flexible hose to the PRO Hoesetails.

Safely connect using either jubilee / wire clips to ensure this is water tight.

Your pump (not included) should be attached to the 'Water Inlet Point'.

The 'Water Outlet Point' should direct water either back into your pond or to a waterfall adjacent to the pond.

Ensure the blue Outlet Control Dial is pointed towards your 'water inlet point' and 'water outlet point'

❹ Connect the PRO to the mains

Connect the PRO to the mains using a residual current device (RCD) for additional safety.

❺ Switch on your pump

Switch on your pump and visually inspect that you have the expected water flow through the PRO filter.

Visually check that you have no leakage.

❻ Switch on the PRO at the mains

Now that you have visually checked that the PRO is being supplied the required flow of water you can turn on the UV operation by switching the unit on at the mains.

UVC OPERATION



- 1 Always ensure the PRO has water flowing through prior to operating the UV.
- 2 Never look directly at the UV light when operational.
- 3 Check that the UV is operational visually using the UV indicator (*part 1*)

MAINTENANCE

It is recommended that every two weeks you perform the 'auto clean' process to ensure the continued effectiveness of the filter. Depending on your pond volume and stock levels, this may need to be completed more or less often.

Again depending on the above factors you will want to perform a full deep clean of the included foams and the inside of the filter body 2-3 times per year.

Filter Auto Clean Maintenance

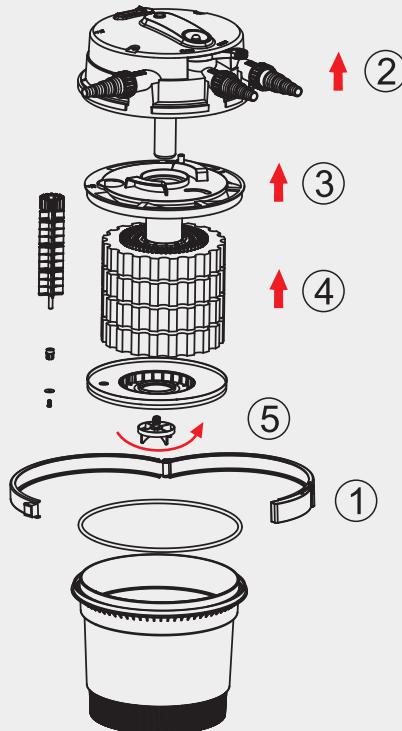
- 1 **Switch off your pump**
Switch off your pump and visually inspect that you have no water flow through the PRO filter.
- 2 **Connect Hose to the Waste Outlet Point**
Safely connect using either jubilee / wire clips to ensure this is water tight.
- 3 **Aim Your Waste**
Place the end of the hose from the waste outlet point to a suitable location in your garden.
Switch on your pump and visually inspect that you have the expected water flow through the PRO filter. Visually check that you have no leakage.
- 4 **Begin The Auto Clean Process**
Turn the switch to clean position, then switch the pump on.
IMPORTANT! This should only be done in this order to ensure no damage is done to the filter. The filter will then automatically start cleaning process.
- 5 **Ensure water is clear**
Check the water is running clear from the waste outlet hose. After the process is complete, switch the pump OFF. Important note - this should only be done in this order to ensure no damage is done to the filter.
- 6 **Return the filter to normal operation**
Point the switch to Filter position. Visually check that you have no leakage and that you have the expected water flow through the filter.

Deep Clean Maintenance



All internal cleaning should be done using pond water only. This is to ensure the living bacteria within your filtration is not effected. Using tap water will kill all living bacteria within your pond filter so it is vital only pond water is used when doing cleaning maintenance.

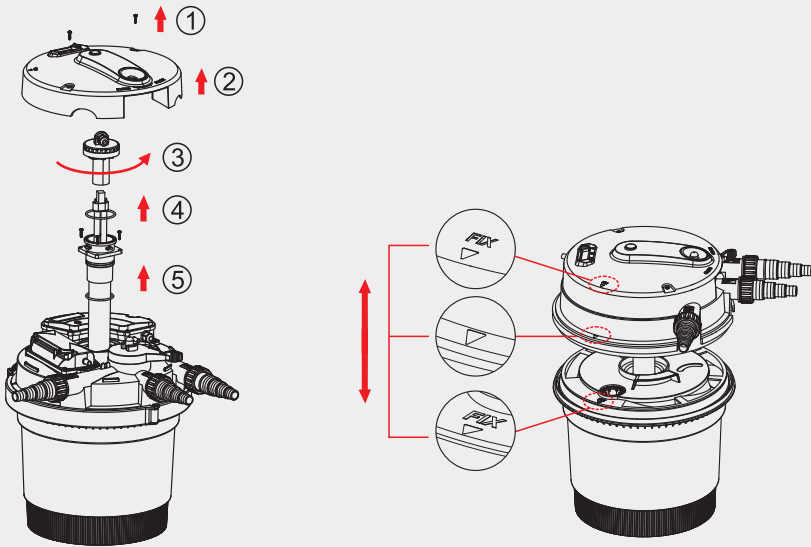
- ➊ **Remove the PRO lid** - Unfasten and remove the head clasp (part 24). Pull the PRO Lid clear of the filter and place upside down on a flat surface.
- ➋ **Remove the filter sponges** – unscrew parts 16, 17, 18, 19, then remove filter sponges.
- ➌ **Clean filter sponges** – Clean the filter sponges and replace. Re-attach the parts as above.
- ➍ **Clean bio-mechanical media** – rinse through your filter media.
- ➎ **Clean body and all attachments.**
- ➏ **Reassemble.**





Cleaning Quartz Sleeve and Replacing UV Bulb

- 1 Unscrew the screws on the decorative lid.
- 2 Disconnect the plug-in wire in the UV head. Rotate the UV lamp to remove it.
- 3 Gently clean the quartz sleeve with damp cloth.
- 4 To replace the UV bulb, remove the fixing nut on the quartz sleeve.
- 5 Inspect the quartz sleeve for any damage or cracks.
- 6 Replace the UV bulb. Place the quartz sleeve back over the UV bulb, then reattach the UV head to the filter lid.
- 7 Reassemble.



TROUBLESHOOTING

UV Indicator Is Not Lighting Up

If the UV indicator is not lighting up follow these troubleshooting steps:

- 1 Unscrew the screws on the decorative cover and remove them.
- 2 Find and disconnect the three-core plug-in wire in the UV head. Rotate the UV lamp to replace it.



- ③ If the UV is operational, check that there is no damage to the safety button insert on the top of the filter lid. When in operation, this part is inserted into the UV head to press down on the unit safety button, providing power to the UV.
- ④ If you find that the UV light is still not operational, check that you have power from the mains supply.
- ⑤ If you do have power from the mains supply, try changing the UV bulb (see section 'cleaning the quartz sleeve and replace the UV bulb').
- ⑥ If you find that the UV light is still not operational the UV ballast may have developed a fault. You will need to contact the supplier of your PRO to obtain the replacement part.
- ⑦ Please remember UV bulbs for use in ponds should be replaced every 12 months.

Pond Water is Still Dirty

If the water in your pond is still not clear after installing your PRO filter, this might be due to the following:

- ① The filter has not been installed for long enough - it can take a few weeks to see the full effects of the biological filtration.
- ② Your filter sponges are dirty - consult the maintenance section above on routine and deep clean instructions for your filter sponges.
- ③ The quartz sleeve is dirty - consult the maintenance section above on how to clean your quartz sleeve.
- ④ Your pond is heavily populated - ensure that your pond is not overcrowded.
- ⑤ Your pond water is very dirty - you may need to remove any leaves from your pond, carry out a water change, or remove widespread algae with the use of an additional water treatment.
- ⑥ Insufficient pump size - ensure that your water pump is the correct size for your pond.

No water is coming out of the inlet hosetail



If the filter is not discharging any water from the inlet, this might be due to the following:

- 1 Outlet Control Dial is set to 'clean' - make sure that the dial is turned anti-clockwise and set to 'filter'.
- 2 Not connected to the mains power supply - ensure that your pond pump and filter are connected to the mains power supply.
- 3 The inlet hosetail is blocked - manually clean the inlet to remove any dirt that may be blocking it.

If none of the above resolves your issue, or you require spare parts for your PRO please contact the supplier of your system.

SPECIFICATIONS

MODEL	PRO-5000	PRO-8000	PRO-12000	PRO-20000	PRO-30000	PRO-50000	PRO-75000
UV POWER(WATTAGE)	11W	18W	24W	36W	55W	55W	55W
DIMENSIONS(LxWxH) (mm)	Ø382x441	Ø382x551	Ø382x761	Ø450x560	Ø450x725	Ø600x825	Ø750x890
FILTER BODY VOLUME(LITRES)	20L	25L	38L	50L	75L	170L	300L
MAX FLOW RATE(LITRES)	8000L/h	10000L/h	10000L/h	12000L/h	14000L/h	18000L/h	20000L/h
INLET/OUTLET HOSE ADAPTER	3/4" - 1 1/2"			1 1/4" ~ 1 1/2" ~ 2"			
CABLE LENGTH	5m (plug not included)						
VOLTAGE	220-240v / 50Hz						

WARRANTY

Your PRO system comes with 24 months warranty that covers all electrical parts.

If you require support for operation of your PRO, replacement parts or if your PRO develops a fault during the warranty period, please contact the supplier of the PRO.

Please be aware that parts including bulbs, impellers, shafts, magnets and rubbers are not covered by your warranty and a charge may be required for replacements of these.



www.allpondsolutions.co.uk

All Pet Solutions Ltd Trading as All Pond Solutions
22 Wycombe End, Beaconsfield,
Buckinghamshire, England,
HP9 1NB

MADE IN CHINA